

Veeva
Sol.

furnitubes
shaping outdoor spaces



Veeva Sol.

Seating supercharged.

Recharge your urban space. Beautifully and respectfully.

In an urban context, moments of pause are precious. Veeva Sol is an invitation to linger, connect, and recharge, both figuratively and literally.

Crafted with the demands of modern urban life in mind, Veeva Sol brings timeless design to any space, with its clean lines and durable materials, while its integrated smart technology quietly enhances outdoor urban living.

Veeva Sol's considered aesthetic seamlessly integrates into almost all urban landscapes. Its modern heritage design complements both contemporary and traditional settings, ensuring visual harmony without compromising on functionality or durability.

As daylight fades, Veeva Sol's ambient LED lighting subtly illuminates its surroundings, enhancing safety and extending the usability of public spaces into the evening hours.

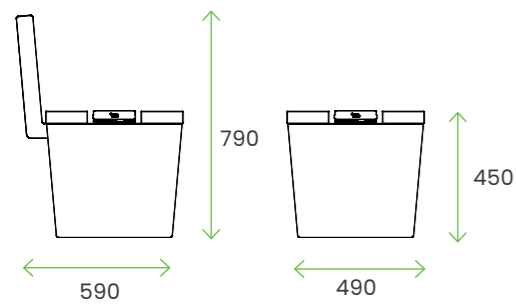
Why Choose Veeva Sol?

Every element of Veeva Sol is chosen for sustainability and longevity. The seating is crafted from 80% recycled steel and FSC certified Iroko wood, marrying eco-conscious materials with enduring quality. This reduces environmental impact and allows Veeva Sol to serve communities for years to come, gracefully weathering the demands of busy urban environments.



Veeva Sol Seat.

Choose your combination of hard-wearing Iroko and smart beams. Each smart beam brings additional lighting, charge capacity, and charging stations to the bench. Replace the central timber slat for a smart beam unit and make Veeva Sol your own.



Options

- Seat supports powder coated to any RAL colour
- Timbers with UV protective finish
- No solar unit





VEE-S180SOL-TP
3 person seat with solar panel

Seating Supercharged.

The addition of the modern and minimalistic Sol Beam allows us to create a bench designed for busy urban environments. Its body is crafted from aluminium and features a black anodised protective layer for a sleek contemporary look.

The panels distributed along the top surface capture solar energy, enabling wireless charging of phones and other devices. It also charges the LED lighting that's integral to the beam.

Technical Features

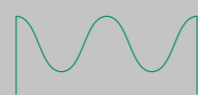
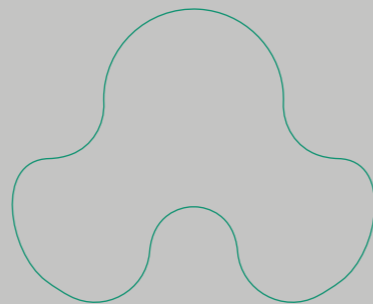
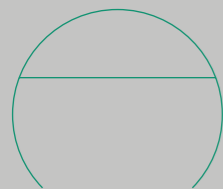
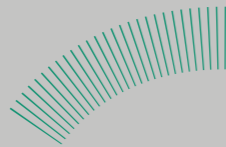
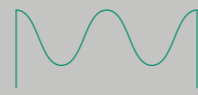
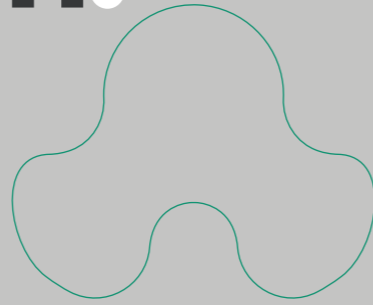
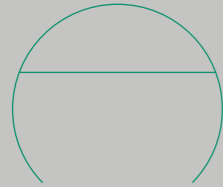
- Solar Panel - 48W of power
- Low voltage 12V Lithium-ion Battery System with thermal insulation and 20Ah of capacity
- 2 Wireless chargers which supports Qi standard
- USB charger with two ports
- LED indication for battery status
- LED ambient lighting





VEE-S180SOL-TP
3 person seat with solar panel

Technical Information.



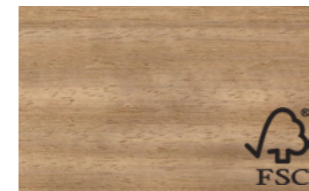
Veeva Sol Range.

Finishes & Materials

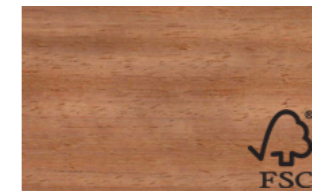
Veeva Sol seat and bench legs and supports are made of 80% recycled mild steel triple process powder coated to a standard RAL.

We have a carefully selected suggested RAL colour palette for all our products, details available on request. Seat and backrest are made of FSC certified Iroko wood slats.

Timber



Iroko



Iroko UVP

Metal



Triple process powder coated steel to standard RAL

Delivery

Flat Packed

- Minimises shipment costs
- Reduces CO2 emissions due to transport
- Easy installation
- Set up and go
- Ground fixings not supplied

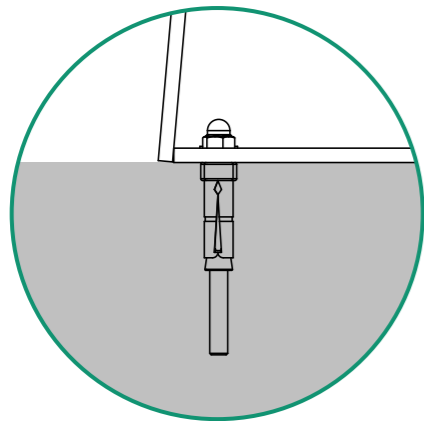
Technical Info.

Installation

All Veeva Sol seating products are pre-fitted with nylon feet, which prevent the steelwork from marking the paving if the seats are free-standing, and also protects the steelwork from being abraded by paving, especially if the steelwork is coated.

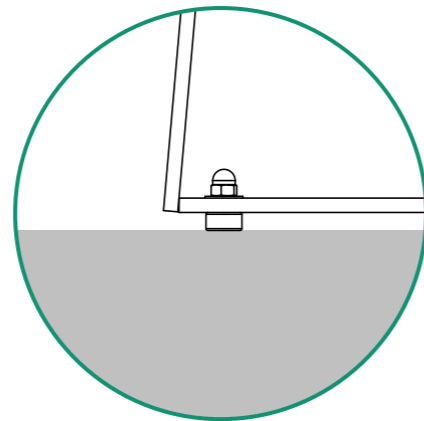
Bolt-down seating

- For permanent installation in public areas, we recommend that the Veeva Sol products are bolted down to the ground.
- When the feet are removed the pre-drilled holes can be used for an M10 ground anchor fixing (not supplied).

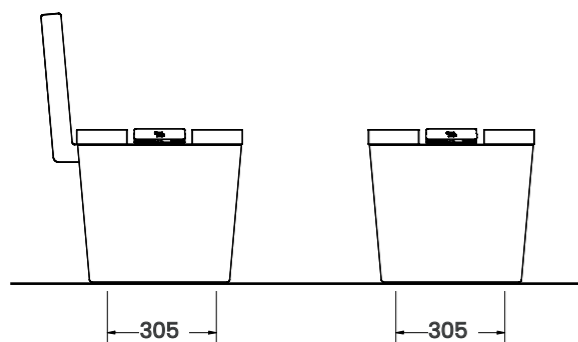


Freestanding seating

- The profile and weight distribution of the Veeva Sol range also allows them to be safely used as freestanding units using the feet provided.



Hole spacing



All hole centres are 1650mm apart from leg to leg.



Technical Info.

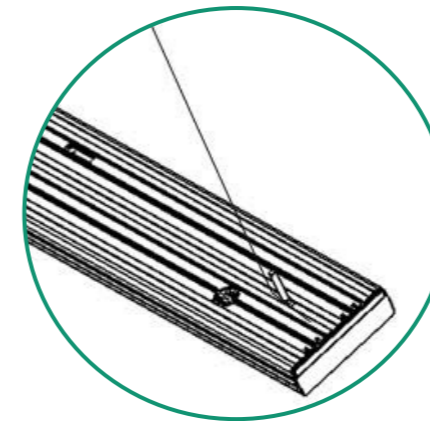
Solar panel unit

Technical Features - Smart Beam

- Solar Panel - 48W of power
- Low voltage 12V Lithium-ion Battery System with thermal insulation and 20Ah of capacity
- 2 Wireless chargers which supports Qi standard
- USB charger with two ports
- LED indication for battery status
- LED ambient lighting

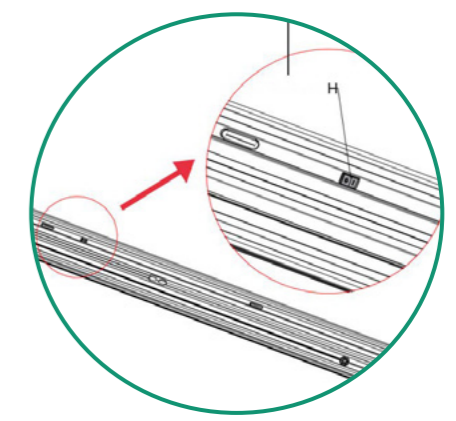
Installation

Smart beam units arrives packaged in its transportation box. Once carefully removed from package, unit is secured to the structure using two M8x50 bolts.



Activation

On the bottom side of the Beam is the main switch, find it and just turn it on. Wait around 5 seconds and your SmartBeam is ready to use.



Care & Handling

Personnel and tools required

We would recommend a minimum of 2 suitably skilled workers. Spanners / sockets for M10 hex head bolts and nuts are required.

General handling - health and safety

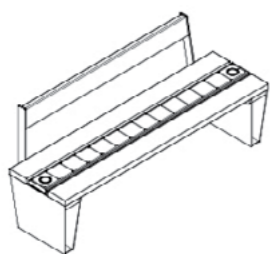
Care should be taken when manually handling these items, including good lifting and transportation practices. Hand and foot protection must be used when moving and installing these products.

Veeva Sol. Codes & Dimensions

Seat and bench

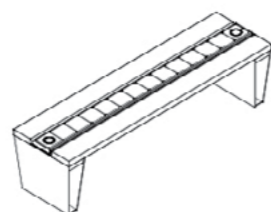
VEE-S180SOL-TP

3 person seat with Solar Panel



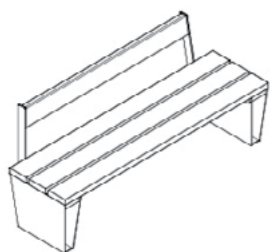
VEE-B180SOL-TP

3 person bench with Solar Panel



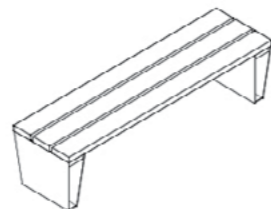
VEE-S180-TP

3 person seat standard



VEE-B180-TP

3 person bench standard



Code	Description	Length	Depth	Width	Height	Weight
VEE-S180SOL-TP	3 person seat with Solar Panel	1800	597	800	450	64
VEE-B180SOL-TP	3 person bench with Solar Panel	1800	492	450	450	67
VEE-S180-TP	3 person seat	1800	567	800	450	50
VEE-B180-TP	3 person bench	1800	492	450	450	53

Dimensions exclude feet

Furnitubes reserve the right to alter designs and dimensions at any time to improve our products.

Dimensions are given for information purposes only, if dimensions are critical please contact our sales team.

Why Furnitubes.

Made in the UK

Our factory is based in Kent, so expect faster leadtimes and no supply chain delays

Easy to maintain + low labour costs

We make sure that fixing points are easily accessible so slats and brackets can be changed easily when damaged

Modular solutions

Our ranges are modular and customisable, seating and planters can be easily combined, be creative without blowing the budget

Our approach

We take a considered approach to design, it's not just about the end product. We take everything in the process into consideration, we are collaborative and we are committed to producing products that improve our environment & keep people safe.



Our Process.

Get in touch

it's as simple as that, give us a call or drop us an email, we're happy to help whatever the medium!

Collaborate

Depending on your needs, you might not actually need us at this stage, that's the beauty of our modular ranges – they're designed with you in mind, so you can specify with ease. Nevertheless, we are here for you if you do – our design team are always on hand to discuss the nitty gritty of your project.

Specification

This is where our team of experts take the wheel and help you with sketches, CADs and more to help you specify our products as easily as possible.

Production + delivery

All of our products are designed and manufactured in the UK allowing us to give you shorter lead times. With a dedicated project manager keeping you in the loop, you can trust everything is in hand.

