

Zenith bollards.



Our Zenith bollards are available in a range of diameters and lengths. There are a variety of sizes which come with a security core for added safety. There are a range of removable options on offer and F1 sockets are available as an addition to any of our standard Zenith bollards.

Our bollards are available in a stainless steel, satin finish. Steel bollards are light in weight but strong so perfect for high traffic environments such as public spaces, car parks and residential areas.

Grade 304 - suitable for most exterior situations.

Grade 316 - suitable for aggressive environments such as coastal or industrial locations.

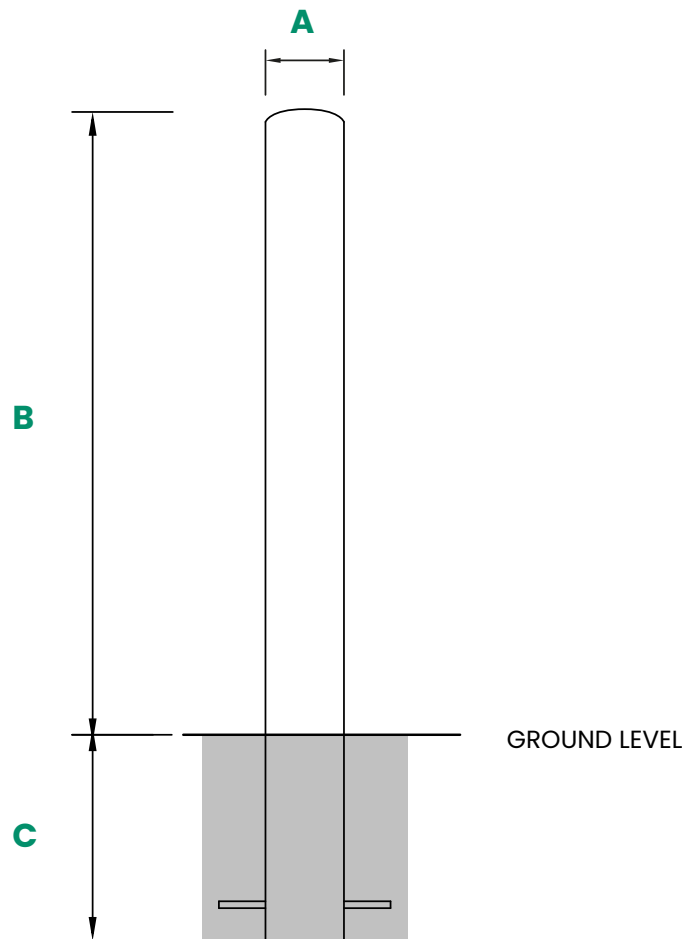



304 or 316 stainless steel

Furnitubes reserve the right to alter designs and dimensions at any time to improve our products. Please ensure that you have the latest issue of the document. Dimensions are given for information purposes only, all measurements are in mm and weights in KG unless otherwise stated. If dimensions are critical please contact our sales team. Document issue 1, date 09/09/2024.

Zenith bollards.

Cylinder top, root fixed

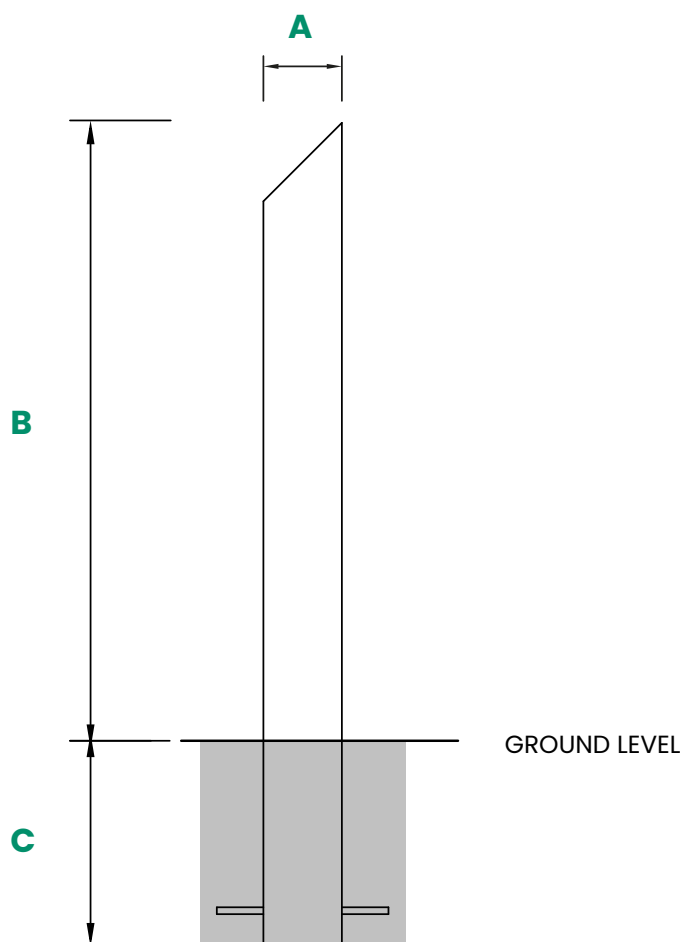



	A	B	C	
ZEN700	102	900	300	6
ZEN800	102	1000	300	6.5
ZEN701	115	900	300	7
ZEN801	115	1000	300	7.5
ZEN703	140	900	300	8.5
ZEN803	140	1000	300	9
ZEN702	170	900	300	10.5
ZEN802	170	1000	300	11

Furnitubes reserve the right to alter designs and dimensions at any time to improve our products. Please ensure that you have the latest issue of the document. Dimensions are given for information purposes only, all measurements are in mm and weights in KG unless otherwise stated. If dimensions are critical please contact our sales team. Document issue 1, date 09/09/2024.

Zenith bollards.

Sloped top, root fixed

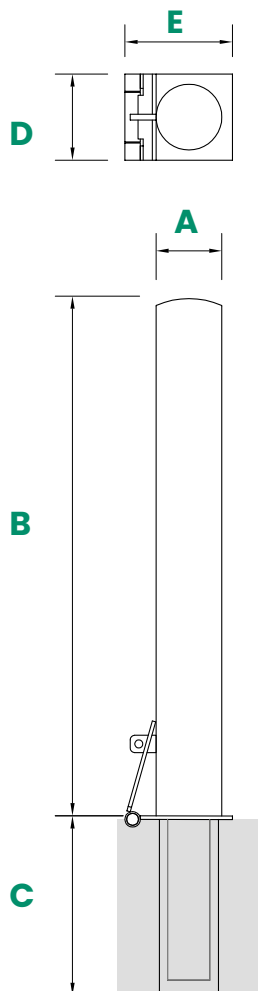



	A	B	C	
ZEN450	102	900	300	6
ZEN850	102	1000	300	6.5
ZEN451	115	900	300	7
ZEN851	115	1000	300	7.5
ZEN453	140	900	300	8.5
ZEN853	140	1000	300	9
ZEN452	170	900	300	10.5
ZEN852	170	1000	300	11

Furnitubes reserve the right to alter designs and dimensions at any time to improve our products. Please ensure that you have the latest issue of the document. Dimensions are given for information purposes only, all measurements are in mm and weights in KG unless otherwise stated. If dimensions are critical please contact our sales team. Document issue 1, date 09/09/2024.

Zenith bollards.

Cylinder top, removable

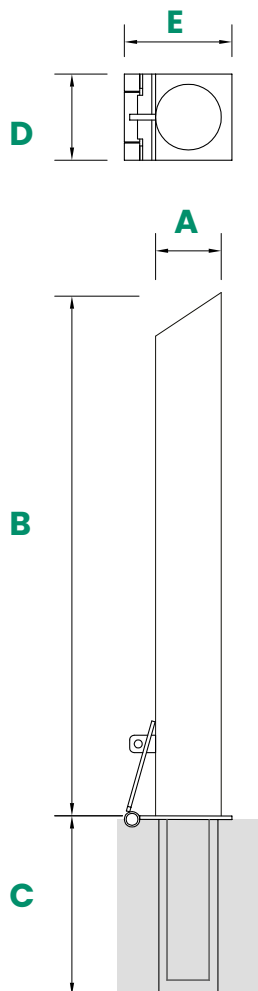



	A	B	C	D	E	
ZEN700R	102	880	320	150	182	8
ZEN800R	102	980	320	150	182	8.5
ZEN701R	115	880	320	150	182	10
ZEN801R	115	980	320	150	182	11
ZEN703R	140	880	320	180	212	12
ZEN803R	140	980	320	180	212	12.5
ZEN702R	170	880	320	205	238	14.5
ZEN802R	170	980	320	205	238	15

Furnitubes reserve the right to alter designs and dimensions at any time to improve our products. Please ensure that you have the latest issue of the document. Dimensions are given for information purposes only, all measurements are in mm and weights in KG unless otherwise stated. If dimensions are critical please contact our sales team. Document issue 1, date 09/09/2024.

Zenith bollards.

Sloped top, removable

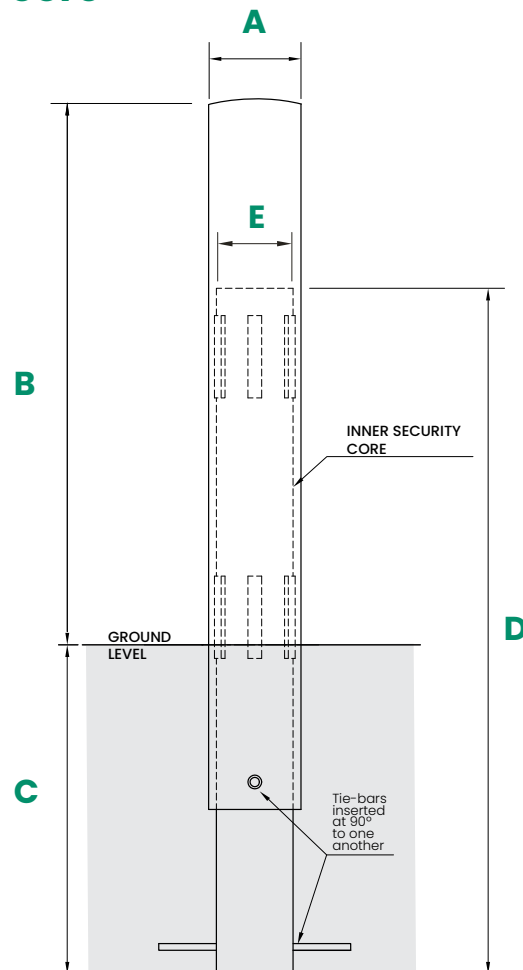


	A	B	C	D	E	
ZEN450R	102	880	320	150	182	8
ZEN850R	102	980	320	150	182	8.5
ZEN451R	115	880	320	150	182	10
ZEN851R	115	980	320	150	182	11
ZEN453R	140	880	320	180	212	12
ZEN853R	140	980	320	180	212	12.5
ZEN452R	170	880	320	205	238	14.5
ZEN852R	170	980	320	205	238	15

Furnitubes reserve the right to alter designs and dimensions at any time to improve our products. Please ensure that you have the latest issue of the document. Dimensions are given for information purposes only, all measurements are in mm and weights in KG unless otherwise stated. If dimensions are critical please contact our sales team. Document issue 1, date 09/09/2024.

Zenith bollards.

Cylinder top, security core

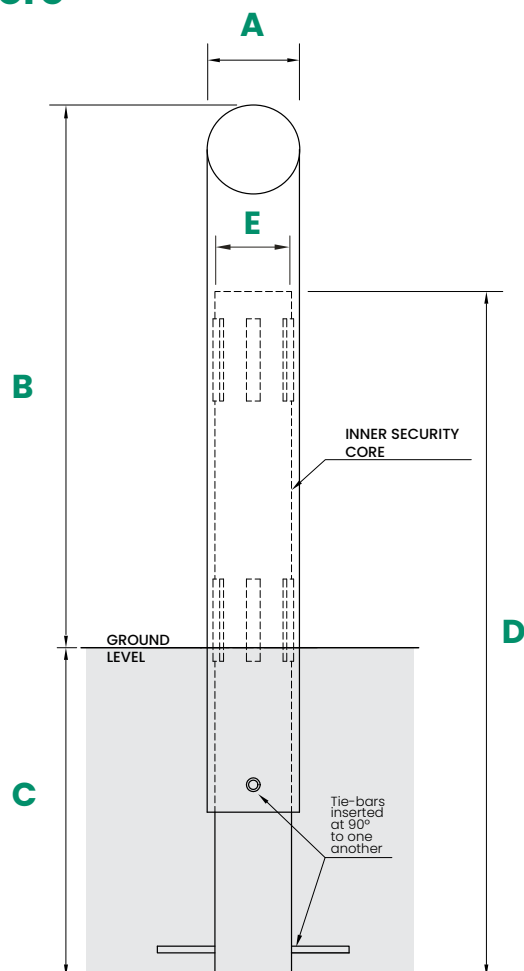


	A	B	C	D	E	KG
ZEN701SC	115	900	600	1250	101	24
ZEN801SC	115	1000	600	1250	101	24.5
ZEN703SC	140	900	600	1250	114	43
ZEN803SC	140	1000	600	1250	114	43.5
ZEN702SC	170	900	600	1250	140	51
ZEN802SC	170	1000	600	1250	140	51.5

Furnitubes reserve the right to alter designs and dimensions at any time to improve our products. Please ensure that you have the latest issue of the document. Dimensions are given for information purposes only, all measurements are in mm and weights in KG unless otherwise stated. If dimensions are critical please contact our sales team. Document issue 1, date 09/09/2024.

Zenith bollards.

Sloped top, security core

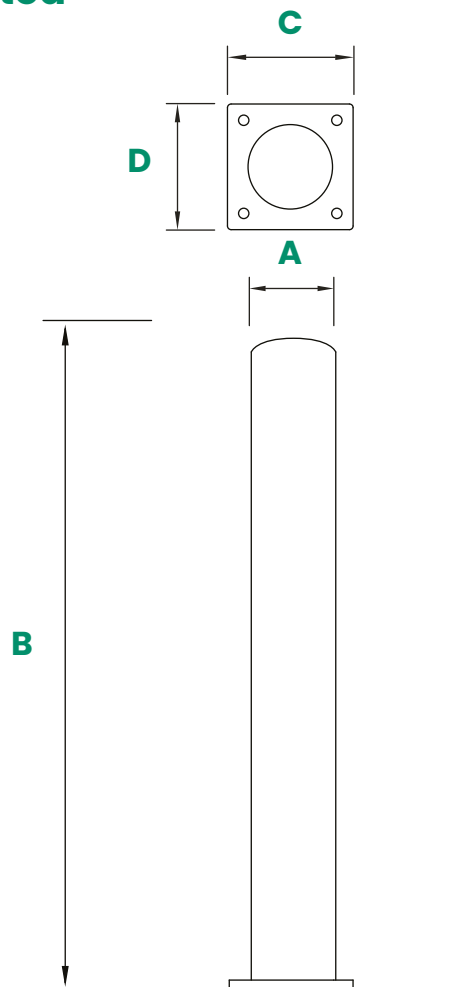



	A	B	C	D	E	KG
ZEN451SC	115	900	600	1250	101	24
ZEN851SC	115	1000	600	1250	101	24.5
ZEN453SC	140	900	600	1250	114	43
ZEN853SC	140	1000	600	1250	114	43.5
ZEN452SC	170	900	600	1250	140	51
ZEN852SC	170	1000	600	1250	140	51.5

Furnitubes reserve the right to alter designs and dimensions at any time to improve our products. Please ensure that you have the latest issue of the document. Dimensions are given for information purposes only, all measurements are in mm and weights in KG unless otherwise stated. If dimensions are critical please contact our sales team. Document issue 1, date 09/09/2024.

Zenith bollards.

Cylinder top, baseplated

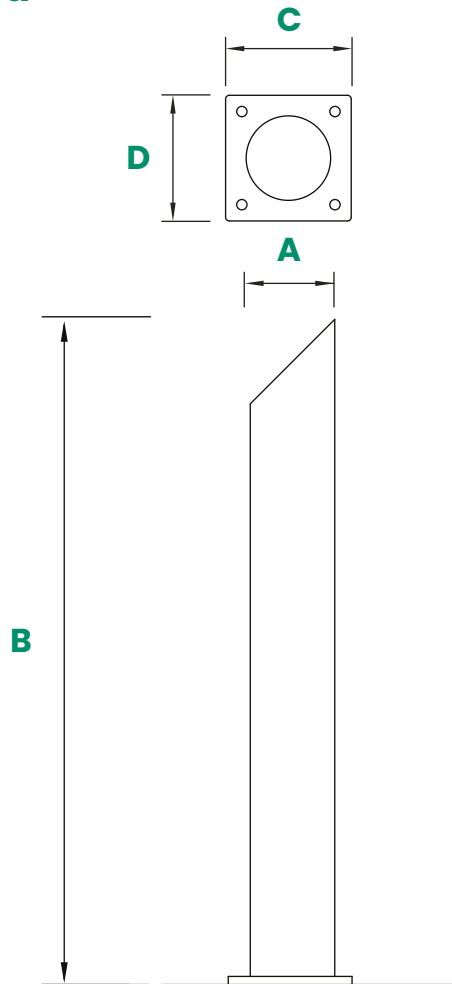


	A	B	C	D	 KG
ZEN700BASE	102	900	160	160	8
ZEN800BASE	102	1000	160	160	8.5
ZEN701BASE	115	900	170	170	10
ZEN801BASE	115	1000	170	170	10.5
ZEN703BASE	140	900	200	200	12
ZEN803BASE	140	1000	200	200	12.5
ZEN702BASE	170	900	250	250	14
ZEN802BASE	170	1000	250	250	14.5

Furnitubes reserve the right to alter designs and dimensions at any time to improve our products. Please ensure that you have the latest issue of the document. Dimensions are given for information purposes only, all measurements are in mm and weights in KG unless otherwise stated. If dimensions are critical please contact our sales team. Document issue 1, date 09/09/2024.

Zenith bollards.

Sloped top, baseplated



	A	B	C	D	KG
ZEN450BASE	102	900	160	160	8
ZEN850BASE	102	1000	160	160	8.5
ZEN451BASE	115	900	170	170	10
ZEN851BASE	115	1000	170	170	10.5
ZEN453BASE	140	900	200	200	12
ZEN853BASE	140	1000	200	200	12.5
ZEN452BASE	170	900	250	250	14
ZEN852BASE	170	1000	250	250	14.5

Furnitubes reserve the right to alter designs and dimensions at any time to improve our products. Please ensure that you have the latest issue of the document. Dimensions are given for information purposes only, all measurements are in mm and weights in KG unless otherwise stated. If dimensions are critical please contact our sales team. Document issue 1, date 09/09/2024.

Zenith bollards.

Installation instructions

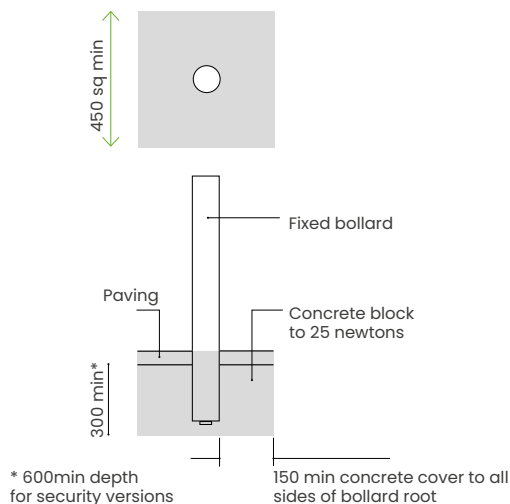
It is important that bollards have a suitable foundation so that they remain firmly in place if they are knocked at any time. Shown below are the minimum recommended requirements for concrete foundation blocks for fixed and removable bollards in typical installations in normal ground conditions.

- Set the bollard at the depth / height as shown in the specific bollard illustration.
- Ensure concrete penetrates through the below-ground apertures (where applicable) into the internal void of the bollard up to ground level.

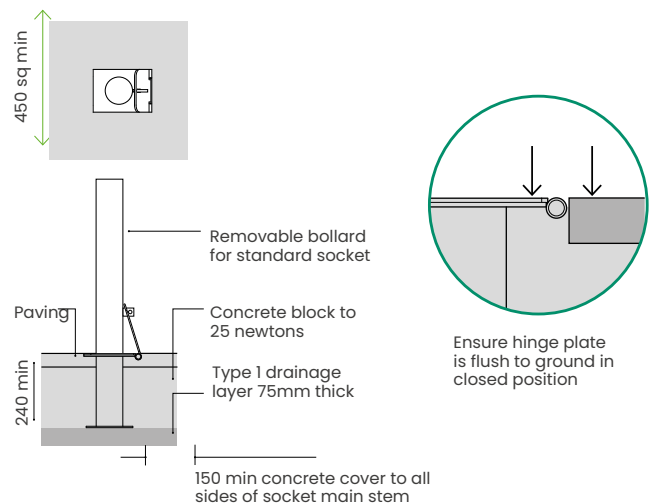
Baseplated bollard

- Use 4no M12 bolts or ground anchors to secure the bollard.

Fixed bollard



Removable bollard: Standard socket



Standard bollards are also available with F1 sockets on request.

Personnel and tools required

- We would recommend a minimum of 2 suitably skilled workers.
- The professional advice of a highway / civil engineer should be sought if there are any queries regarding the ground conditions or doubts over the suitability of the foundation.

General handling - health and safety

- Care should be taken when handling these items, including good lifting and transportation practices.
- Hand and foot protection must be used when moving and installing these products.



Furnitubes reserve the right to alter designs and dimensions at any time to improve our products. Please ensure that you have the latest issue of the document. Dimensions are given for information purposes only, all measurements are in mm and weights in KG unless otherwise stated. If dimensions are critical please contact our sales team. Document issue 1, date 09/09/2024.